

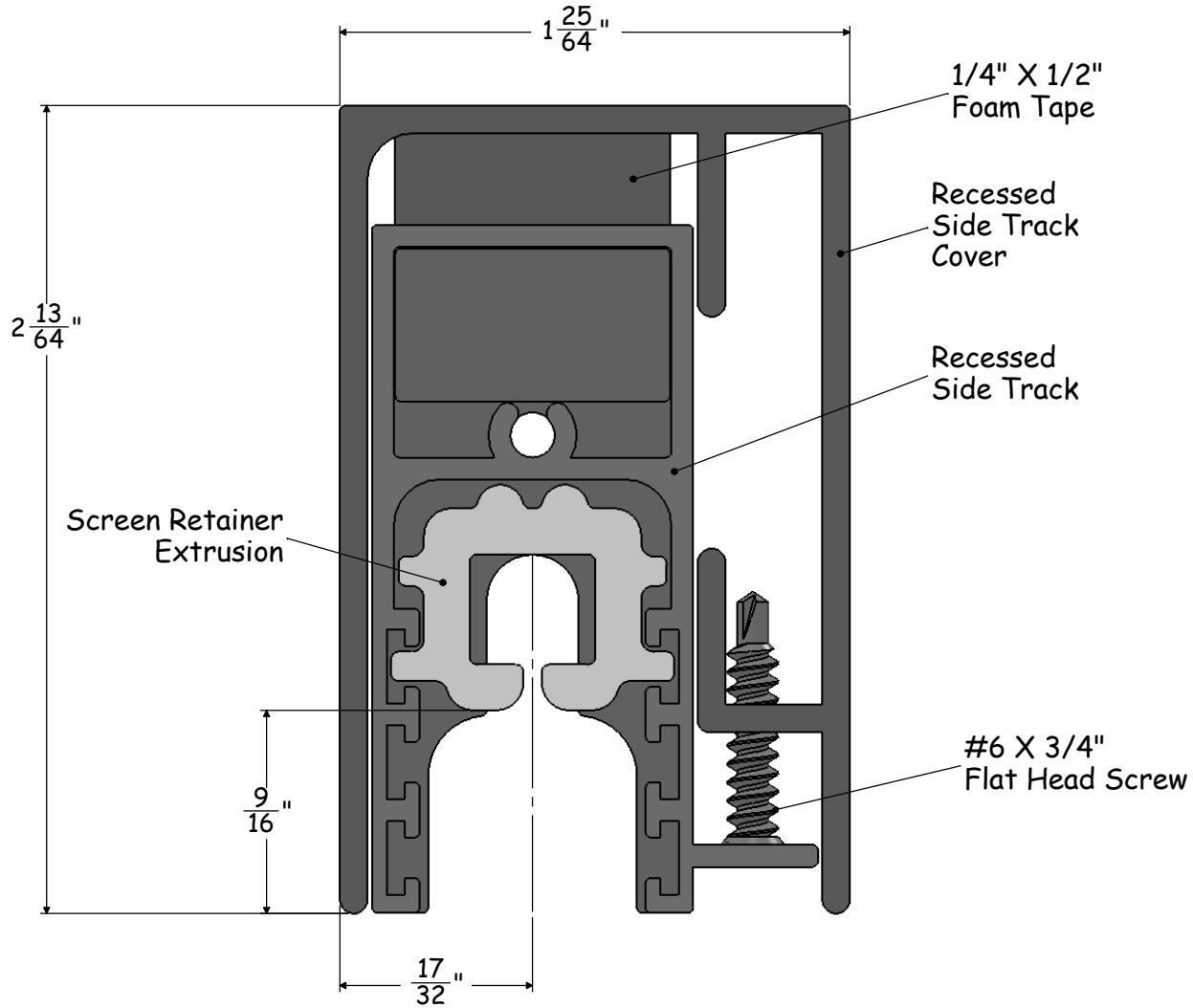


THIS DOCUMENT CONTAINS PROPRIETARY INFORMATION AND IS TO BE RETURNED UPON REQUEST. ITS CONTENT MAY NOT BE DISCLOSED WITHOUT THE WRITTEN CONSENT OF RAINIER INDUSTRIES, LTD.

PART NAME/NUMBER		N/A	
X.XXX	±0.015	MATERIAL	See Below
X.XX	±0.03	BLANK SIZE	-
∠	±2°	WEIGHT	-

DESCRIPTION			Recessed Track Assembly Illustration		
QUANTITY	-	COLOR	-	TYPE	mfg

Revision	Description	Date	Initial
-	Temporary Illustration Drawing	September 9, 2009	SKM
1	ADDED CL DIM	August 8, 2012	DKT



Appendix A

NOTES: Unless Otherwise Specified

1) Scale: 2 : 1

2) Parts depicted only resemble the actual parts. The sole purpose of this drawing is for instructional and illustration purposes.